



SPECIFICATION OF PRODUCT
産 品 承 認 書

DESCRIPTION : SPEAKER

P M B P/N: PMB77F-0091 8 Ω 3W

PMB

상표등록 <제40-0729433호>

피엠비일렉텍

PMB ELECTECH

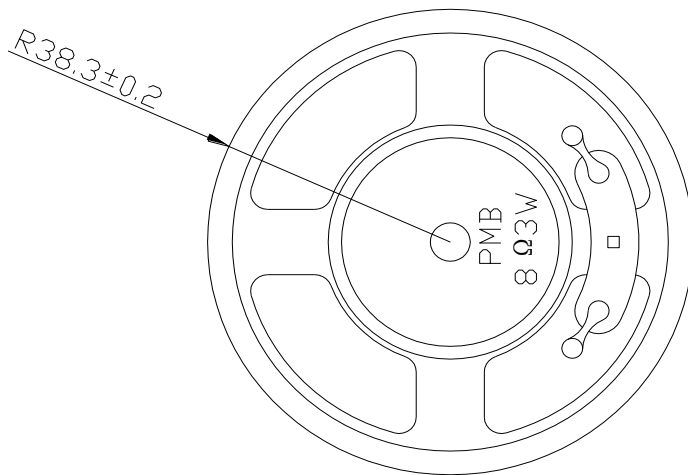
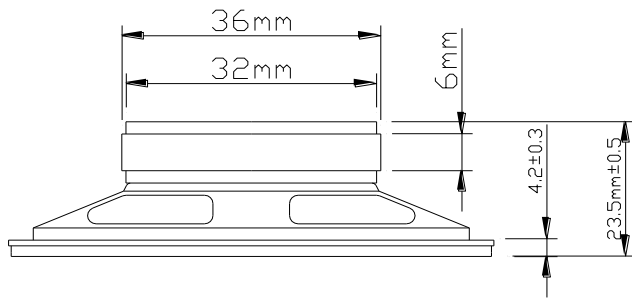
서울시 구로구 경인로53가길 10 대명벨리온 904호

TEL : (02)2619-0388 FAX : (02)2619-0346

HOME PAGE : <http://www.pmbe.co.kr> E-MAIL : pmbe@pmbe.co.kr

特性规格书 (SPECIFICATIONS)

机种编号 (MODEL NO.)	PMB77F-0091 8Ω 3W			
(一): 规格 (SPECIFICATION)				
规格尺寸 (SPEC. DIMENSION)	INCHS / mm : 77Mm			
输入功率 (POWER INPUT)	额定功率 (RATED POWER INPUT): 3W; 最大功率 (MAX POWER INPUT): 4W			
磁铁 (MAGNET)	主磁 (Main); 36*18*6H y25			
重量 (WEIGHT)	g oz			
(二): 电气及机械特性 (ELECTRICAL & MECHANICAL CHARACTERISTICS)				
项目 (ITEM)	规格 (SPECIFICATIONS)	检测条件 (TEST CONDITION)		
纯音检查 (OPERATION)	无异常 Without buzz and rattle	Supply the rated sinusoidal power 3W 3.46V at 30 cm from 100 fo to 2000 Hz		
额定阻抗	8Ω ± 15%Ω	At 1000 Hz , 1.0V 20°C		
共振频率 RESONANT FREQ(Fo)	350 ± 20%	供给额定阻抗 0.1W 功率的电压值. Supply the rated impedance 0.1W power voltage		
有效频宽 RATED FREQ RANGE	FO ~ 10 KHz ± 0.2 KHz	FO ~ 10KHZ Average SPL -10 dB		
输出音压 SOUND PRESSURE LEVEL (SPL)	88 dB ± 3 dB (1.0W /1.0m)	At , 0.6, 0.8, 1.0, 1.5KHz average at 1 watton axis calculated from 1.0M/2.8V measurement		
外观检查 APPEARANCE TEST	无划伤、污垢、破裂 Without scratches dirts cracks	Under 40W light at 40 cm		
极性检查 POLARITY TEST	信号输入(+)端子时, 振动板向前振动	MARKING: ■ (+) □ RED The diaphragm shall move forward the magnet		
(三): 可靠性试验 (RELIABILITY TEST)				
项目 (ITEM)	检测条件 (TEST CONDITION)			
失真率 (DISTORTION)	(1) 1.2Fo < F ≤ 500Hz ≤ 5 % ; (2) 500Hz < F ≤ 5000Hz ≤ 3 % (1.0M/88dB)			
磁束密度 (FLUX DENSITY)	GAUSS			
耐寒试验 (COLD TEST)	-25°C 16Hrs 试验结束后要满足电气特性 (Shall meet items characteristic after test)			
绝缘抵抗 (INSULATION)	扬声器端子绝缘板以外金属部分之间有 2MΩ 500V 以上。 More than 2MΩ 500V between a terminal & a bare metal section of SPK.			
高温试验 (HUMIDTY HEAT TEST)	40°C 95%RH 96H 试验后放置 1/2 小时, 需要满足外观构造以及电气特性要求。 After 1/2H exposure speaker will meet electrical characteristic & not show any Visual or structural degradations			
耐湿性周期性 HUMIDITY CYCLIC TEST	80~96% RH -10°C~65°C 24 小时为 1 个周期, 共 10 个周期 Followed by 10 cycles of 24 hours			
连续负荷试验 (LOAD TEST)	白噪声在额定功率上试验 96H, 动作须正常。 White noise at nom. power test at least 96H, operation must be normal.			
漏磁密度 (FLUX LEAKAGE)	距离后盖 mm 漏磁束 ≤ MT The distance between the tester and the cover of SPK mm			
落下试验 (DROPPING TEST)	75° ± 2° 1.15 m			
设计 (DESIGN)		审核 (AUDITING)		核准 (APPROVE)



单位 Unit	mm
比例 Scale	
涂复 Finishing	
净重 Net Wt.	g

机种编号 (MODEL NO.): PMB77F-0091 8Ω 3W	图面名称(DRAWING NAME): 整机图	备注(REMARK):
设计 (DESIGN) :	审核 (AUDITING) :	核准(APPROVE):

SPL vs Freq



Map	1: THX77F-0091 8Ω3W PMB		
附注	Revc=7.900 Ohm Fo=348.878 Hz Sd=3.117G M?Mmd=3.000 g BL=472.494M T 稿 Qms= 5.344 Qes= 7.762 Qts= 3.165 No=1518009.236 % SPLo=153. Vas=2.869K M? Cms=2.080z M/N Krm=155.473u Ohm Erm=0.913 Mms=100.063P g Mmd=3.000m Kg Kxm=5.610m H Exm=0.595		
LMS	4.5.0.331 六月-15-2003	个人:朱工 公司:泰和星	工程:THX77F-0091 文件:朱工.lib
		Nov 4, 2011 Fri 6:37 pm	LINEAR X S Y S T E M S

机种编号 (MODEL NO.): PMB77F-0091 8Ω 3W	图面名称(DRAWING NAME): 整机图	备注(REMARK):
设计 (DESIGN) :	审核 (AUDITING) :	审核 (AUDITING) :