

SPECIFICATION FOR APPROVAL

承 认 书

DESCRIPTION : SPEAKER (PIN)

PMB P/N: PMB32P

PMB 피엠비일렉텍
상표등록 <제40-0729433호> PMB ELECTECH

서울시 구로구 경인로53가길 10 대명벨리온 904호

TEL : (02)2619-0388 FAX : (02)2619-0346

HOME PAGE : <http://www.pmbe.co.kr> E-MAIL : pmbe@pmbe.co.kr

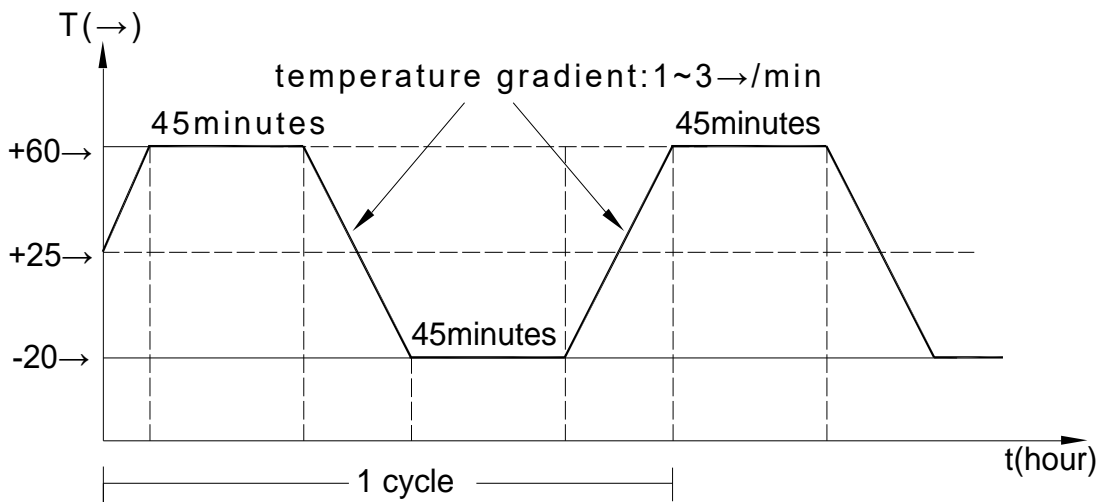
A. SCOPE

PMB32P

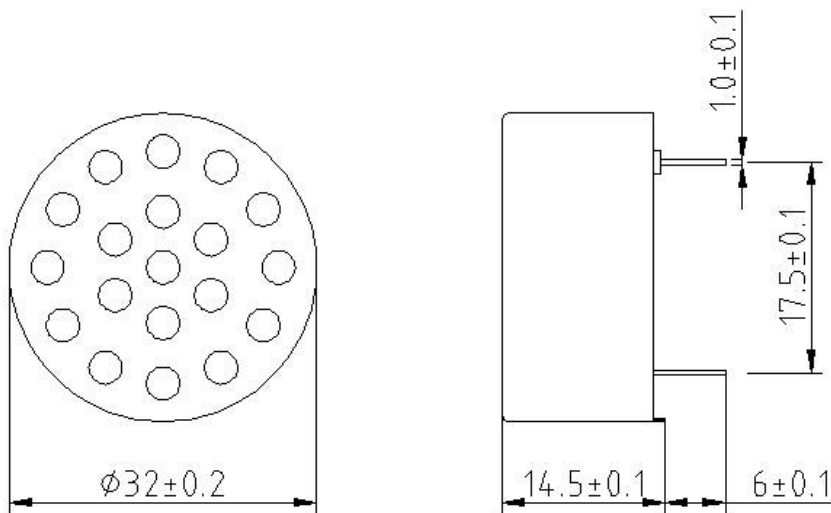
B. Loud Speaker Specification

| No. | Item 项目 | Specification 规格 | Testing Condition 测试条件 |
|-----|--|---|--|
| 1. | Rated Imp 共称阻抗 | 8 Ω \pm 15% | At 1 kHz 1.0 Vrms |
| 2. | Resonance Freq 最低共振周波数 | 1500Hz \pm 20% | Without Baffle |
| 3. | Output S.P.L. 出力音压 | 90 \pm 3 dB | At 0.1m 0.1W 800,1K,1.2K,1.5KHz Average |
| 4. | Rated Power 定格入力 | at 0.15W | at 1.09 Vrms |
| 5. | Max Power 最大入力 | at 0.20W | at 1.26Vrms |
| 6. | Frequency Range 实效频宽 | F0---5.0K Hz | Output S.P.L. -10dB |
| 7. | Operation 可靠性试验 | Must Be Normal | Program Source 0.15 W |
| 8. | Buzzes & Rattles 异常音试验 | Should not be audible buzz and rattle 无异常声 | Sine Wave Between (正弦波入力) at 1.09 Vrms / F0---5.0 KHz |
| 9. | Distortion 失真 | 5% Max | Rated Power Input 1000Hz |
| 10. | Magnet 磁铁 | Size: Φ 16.0* Φ 7*5mm Ferrite Flux Density : ----- Gauss(高斯) | |
| 11. | Operating Temperature 工作温度 | | -20°C to +60°C |
| 12. | Storage Temperature 储存温度 | | -30°C to +60°C |
| 13. | Weight 重量 | | 12g/PCS |
| 14. | Cold Test 耐寒试验 | After having been in a test chamber for 96 hours at the condition of -20°C/2°C and then left 2 hours in a room. (-20°C/2°C,96 小时试验室温两小时后,无异常) | |
| 15. | Heat Test 耐热试验 | After having been in a test chamber for 96 hours at the condition of +60°C/2°C 90~95% R.H and then left 2 hours in a room. (+60°C/2°C 90~95% R.H96 小时试验常温 2 小时后,无异常的不良) | |
| 16. | Load Test 连续负荷试验 | Must be normal after load test :white noise 0.15W 96 hours. (白噪音 0.15 W 连续 96 小时试验后无异常的不良) | |
| 17. | Short Term Maximum Power test 瞬间最大功率测试 | Test for 1 hour under maximum power. Input shall be white noise in rated frequency response. And the signal will be 1 second on, 59 seconds off, total 60 cycles. (白噪音0.2W, 1秒开59秒关, 连续60循环, 试验后无异常之不良) | |
| 18. | Polarity 极性 | When a positive D.C current is applied to the voice terminal marked + or white, the diaphragm shall move forward (端子的正极输入电流,振动板 向前方向运动) | |
| 19. | Drop Test 跌落试验 | Drop the speakers contained in normal box onto a board 5mm thick 10 times from a height of 1.0m . (在厚 5mm 的木板上从 1.0m 的高度跌落 10 次,无异常不良) | |
| 20. | Terminal strength 端子强度 | A static load of 5.0N shall be applied to the terminals for 10s in any direction between terminal block and frame and between terminal block and fasten terminal. (端子板和支架或焊片任一方向上 5.0N 的力 10s 无异常) | |

Temperature Cycle Test(5 cycle)



C. APPEARANCE DRAWING



Tol : ± 0.5

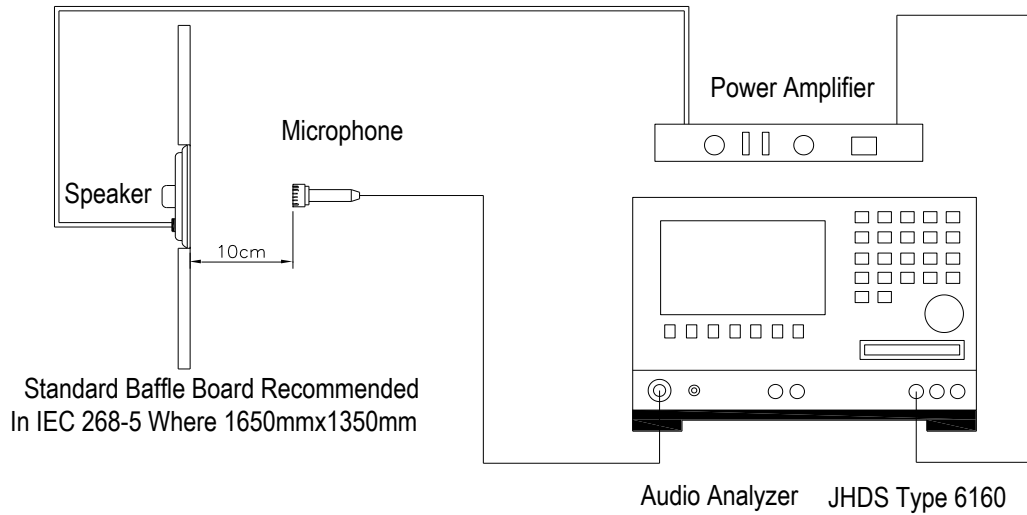
Unit: mm

Noise Testing

| Testing Method 测试方法 | |
|-----------------------------------|---|
| Item 步骤 | Testing Condition 测试条件 |
| 1. Testing voltage 测试电压 | 1.09 Vrms |
| 2. Testing Frequency Range 测试频率范围 | From F0 to 5.0KHz |
| 3. Testing speed 扫描速度 | $S \geq 0.8\text{s/Cycle}$ |
| 4. Operation 测试方法 | The distance from speaker to tester's ear is 30cm 距离测试者耳朵 30cm 处监听, 声音清纯无异常音为 OK |

D. Recommended Test Circuit

Standard test condition of speaker



E. Typical Frequency Response Curve

