

ROHS

SPECIFICATION OF PRODUCT
産 品 承 認 書

CUSTOMER: _____
DESCRIPTION : SPEAKER
P M B P/N: PMB100F-0346

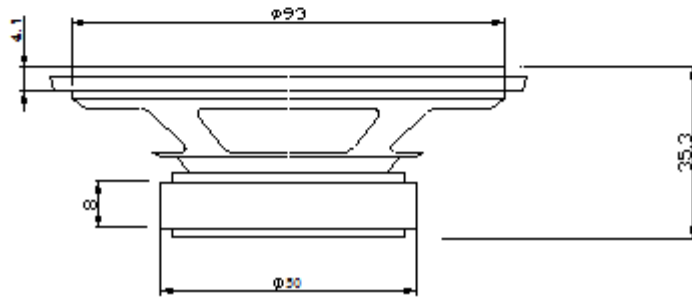
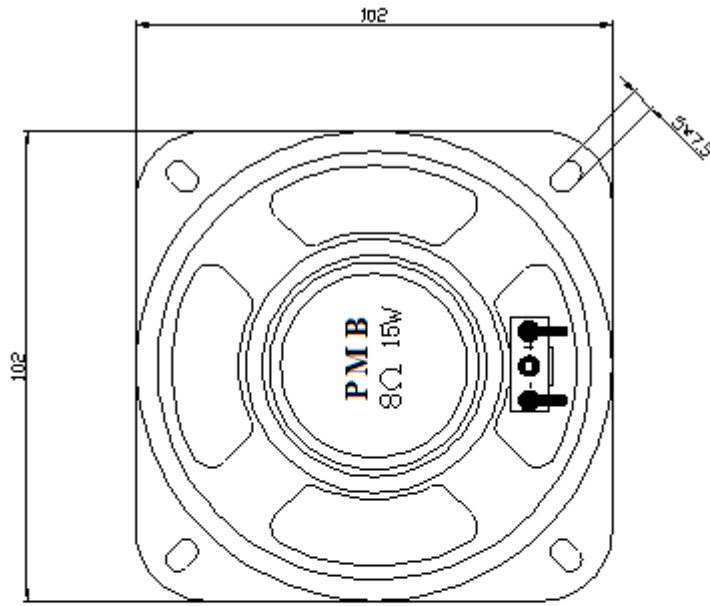
PMB
상표등록 <제40-0729433호>

피엠비일렉텍
PMB ELECTECH

서울시 구로구 경인로53가길 10 대명벨리온 904호
TEL : (02)2619-0388 FAX : (02)2619-0346
HOME PAGE : <http://www.pmbe.co.kr> E-MAIL : pmbe@pmbe.co.kr

特性规格书 (SPECIFICATIONS)

机种编号 (MODEL NO.)	PMB100F-0346 8Ω 15W		
样品编号 (SAMPLE NO.)			
客户机种 (CUSTOMER MODEL NO.)			
(一): 规格 (SPECIFICATION)			
规格尺寸 (SPEC. DIMENSION)	INCHS / mm : 102*102mm		
输入功率 (POWER INPUT)	额定功率 (RATED POWER INPUT): 7W;	最大功率 (MAX POWER INPUT): 15W	
磁铁 (MAGNET)	主磁 (Main) $\phi 50 * \phi 22 * 8$ Y25 ;	负磁 (Sub)	
重量 (WEIGHT)	g / 3.56 oz		
(二): 电气及机械特性 (ELECTRICAL & MECHANICAL CHARACTERISTICS)			
项目 (ITEM)	规格 (SPECIFICATIONS)	检测条件 (TEST CONDITION)	
纯音检查 (OPERATION)	无异常 Without buzz and rattle	Supply the rated sinusoidal power 7 W 7.48 V at 30 cm from 220 to 2K Hz	
交流阻抗 (IMPEDANCE)	8Ω ± 15%Ω (ACR)	At 500 Hz , 1.0V	
直流阻抗 (DCR)	7.2Ω ± 7%Ω (DCR)	At 20°C	
共振频率 RESONANT FREQ(Fo)	250Hz ± 20 % Hz	供给额定阻抗 0.1W 功率的电压值. Supply the rated impedance 0.1W power voltage	
有效频宽 RATED FREQ RANGE	FO~10KHz ± 0.2KHz	FO~10KHz. Average SPL -10 dB	
输出音压 SOUND PRESSURE LEVEL (SPL)	87dB ± 3 dB (1W/1m)	At 0.8 , 1.0 , 1.5 , 2.0KHz average at 1.0 watton axis calculated from 1.0meter/ 2.83 V measurement	
外观检查 APPEARANCE TEST	无划伤、污垢、破裂 Without scratches dirts cracks	Under 40W light at 40 cm	
极性检查 POLARITY TEST	信号输入 (+) 端子时, 振动板向前振动	MARKING: <input checked="" type="checkbox"/> (+) <input type="checkbox"/> RED The diaphragm shall move forward the magnet	
(三): 可靠性试验 (RELIABILITY TEST)			
项目 (ITEM)	检测条件 (TEST CONDITION)		
失真率 (DISTORTION)	(1) $1.2F_0 < F \leq 500\text{Hz} \leq 5\%$; (2) $500\text{Hz} < F \leq 5000\text{Hz} \leq 3\%$ (1 m87dB)		
磁束密度 (FLUX DENSITY)	GAUSS		
耐寒试验 (COLD TEST)	- 25°C 16Hrs 试验结束后要满足电气特性 (Shall meet items characteristic after test)		
绝缘抵抗 (INSULATION)	扬声器端子绝缘板以外金属部分之间有 2MΩ 500V 以上. More than 2MΩ 500V between a terminal & a bare metal section of SPK.		
耐湿耐热试验 (HUMIDTY HEAT TEST)	45°C 95%RH 96H 试验后放置 1/2 小时, 需要满足外观构造以及电气特性要求. After 1/2H exposure speaker will meet electrical characteristic & not show any Visual or structural degradations		
耐湿性周期性 HUMIDITY CYCLIC TEST	80~96% RH -10°C~65°C 24 小时为 1 个周期, 共 10 个周期 Followed by 10 cycles of 24 hours		
连续负荷试验 (LOAD TEST)	粉红噪声在额定功率上试验 96H , 动作须正常。 Pink noise at nom. power test at least 96H, operation must be normal.		
漏磁密度 (FLUX LEAKAGE)	距离后盖 mm 漏磁束 \leq MT	The distance between the tester and the cover of SPK mm	
落下试验 (DROPPING TEST)	75° ± 2° 1.15 m		
设计 (DESIGN)	审核 (CHECKED)	核准 (APPROVED)	

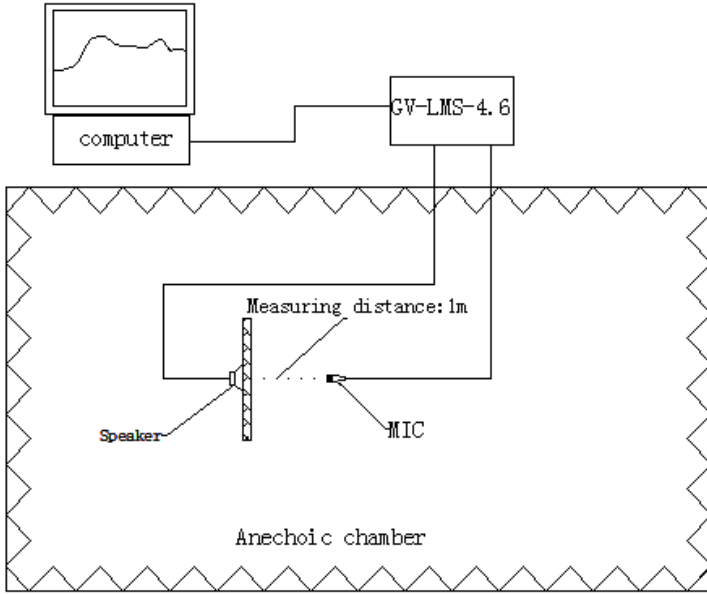


单位 Unit	mm
比例 Scale	1: 1
涂复 Finishing	
净重 Net Wt.	

PMB100F-0346 8Ω 15W	图面名称 Drawing Name: 整机图	图面编号 Drawing No.:
版次 Version: 1.0	日期 Date:	备注 Remark:
制图 Drawing:	审核 (CHECKED) :	核准 Approve:

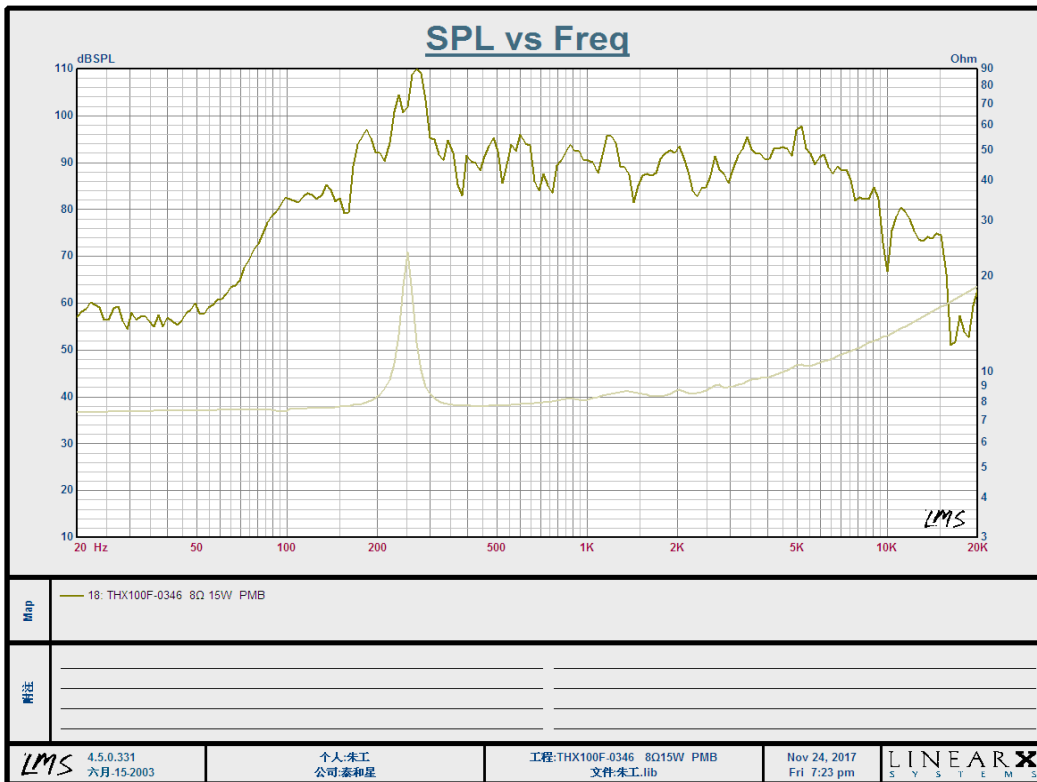
MEASURING CIRCUIT (SPEAKER)

测试回路 (喇叭模式)



FREQUENCY CURVE

频响曲线图标



机种编号 No.: PMB100F-0346 8Ω 15W	样品编号 Sample No.:	备注 Remark:
测试 Test:	检查 Check:	核准 Approve:

