

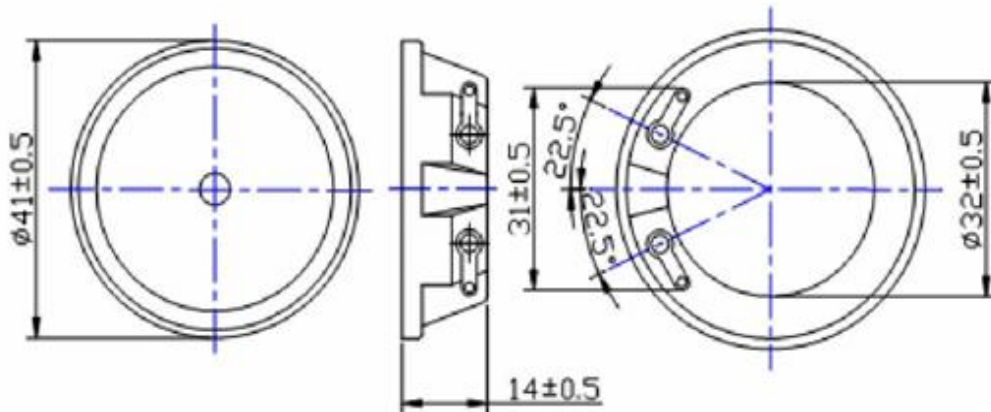
PMB41

1.Specifications

Rated Voltage	3V _{rms}
Max Operating Voltage	1~10 V _{rms}
Min Sound Pressure level	90dB at 50cm/22KHz/3Vrms
Capacitance	100±30%nF at 120Hz
Resonant Frequency	22±3KHz
Case Material/Color	ABS/BLACK
Operating Temperature	-30~+80℃
Store Temperature	-40~+95℃
Weight	6.5 g

2.Appearance Drawing

Tolerance: ±0.5



피엠비일렉텍: 서울시 구로구 경인로53가길 10 대명벨리온 904호

Tel: 02-2619-0388(대) Fax: 02-2619-0346

E-mail: pmbe@pmbe.co.kr Web site: www.pmbeco.kr